

radius



PR622

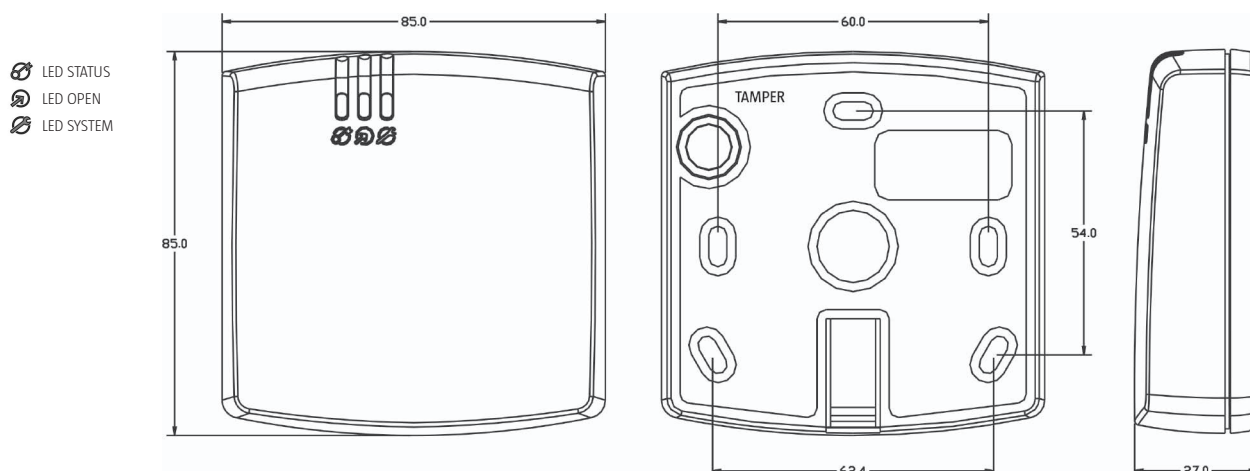
PR622 access controllers may operate as standalone access control units or in integrated access control system with CPR network controllers. In standalone mode PR622 autonomously supervise two-way door passage and do not need to communicate with PC nor any other equipment, events are registered in their internal buffer and time related functions are managed by built-in real-time clock. Access control system based on PR622 controllers can be managed locally through COM/USB serial port or remotely by computer network WAN/LAN.



Features:

- Built-in EM 125 kHz reader
- Connection of one external reader (two way door control)
- Support for PRT (Roger) readers
- Three programmable NO/NC inputs
- Two programmable 1A transistor outputs
- One programmable 1.5A relay output
- RS485 communication bus
- Free topology of communication bus (star or tree topology allowed)
- 4000 users
- 99 time schedules
- 250 user groups
- Built-in 32.000 event buffer
- Local APB
- Global APB (requires CPR network controllers in the system)
- Global Alarm Zones (requires CPR network controllers in the system)
- Operation with XM-2 I/O extension module
- 32 floor lift control (requires XM-8 I/O extension module)
- Integration with burglary system through I/Os
- Building automation through I/Os
- Door operating modes: Normal, Locked, Unlocked, Conditional Unlocked
- User identification: Card or PIN, Card and PIN, Card only, PIN only
- Two Persons, High Security and other advanced access options
- Quick user editing (less than 5 seconds per each controller in system)
- Management through Ethernet (LAN/WAN), USB or COM
- System can be divided into separate branches (networks, subsystems)
- Multiple networks doesn't increase system programming time
- Tamper
- CE mark

PR622 views and installation diagram



Available versions and symbols

Symbol	Description
PR622-G	Dark grey case
PR622-S	Silver-metallic case
PR622-W	White case

Technical Specification

Parameter	Value
Supply voltage	10-15 VDC
Current consumption (average)	50mA
Anti-sabotage protection (Tamper)	NC contact, 50mA/24V, IP67
Reading distance	Up to 15 cm
Environmental class	Class IV, outdoor-general, temperature: -25°C +60°C, relative humidity: 10 to 95% (non condensing)
Dimensions H x W x D	85 X 85 X 27 mm
Weight	≈120g
Approvals	CE

ROGER sp.j
Gościszewo 59
82-400 Sztum
Poland

T. +48 55 272 0132
F. +48 55 272 0133
E. roger@roger.pl
I. www.roger.pl

roger[®]